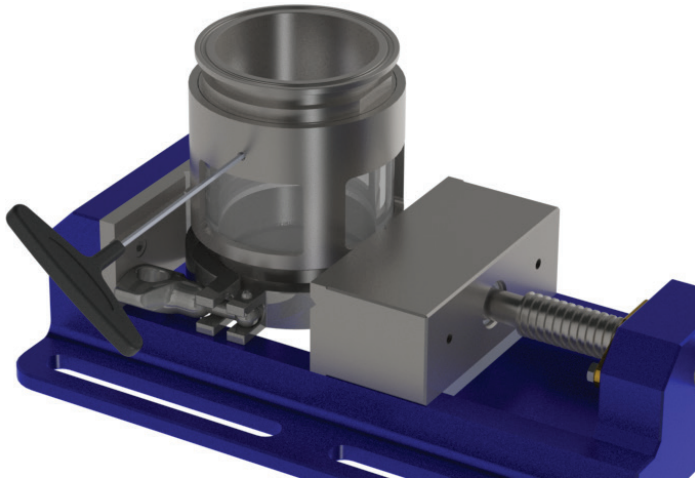




The Right Connection®

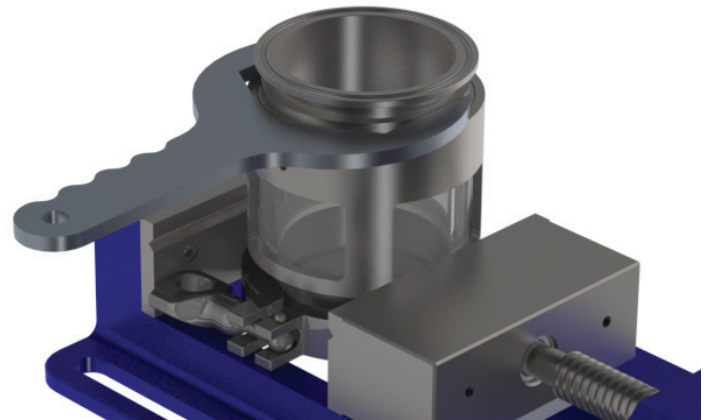
Compact Sight Glass Seal Change Procedure



For ease of assembly and disassembly, clamp an end cap onto the sight glass body ferrule.

Secure capped end in bench vise.

Using proper hex key, remove top cap set screw.

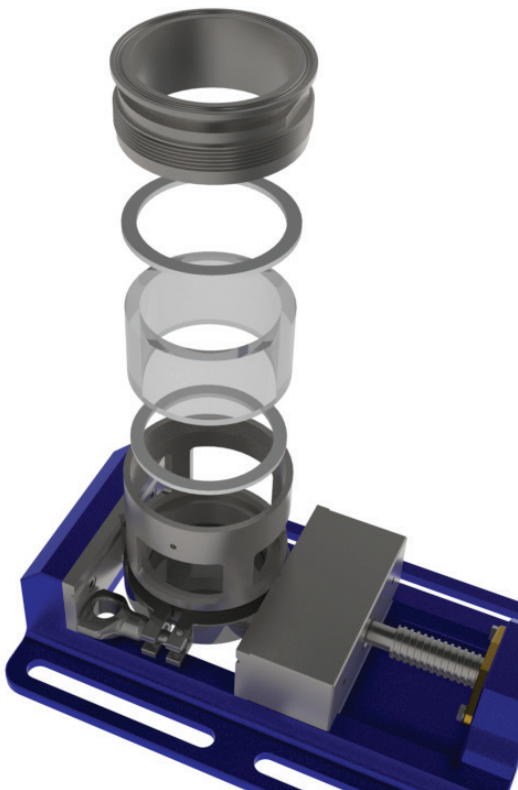


Using supplied Dixon wrench, rotate the sight glass top cap clockwise for assembly or counterclockwise for disassembly.

Lift off top cap to expose elastomers and glass insert.

Inspect components and replace if necessary. For assembly of sight glass, tighten top cap to compress elastomers until they begin to protrude inside.

Install set screw.



connect with us on



Dixon Sanitary

N25 W23040 Paul Road • Pewaukee, WI 53072

ph: 800.789.1718 • 262.513.6900 • fx: 800.789.4046 • 262.513.4904

dixonvalve.com