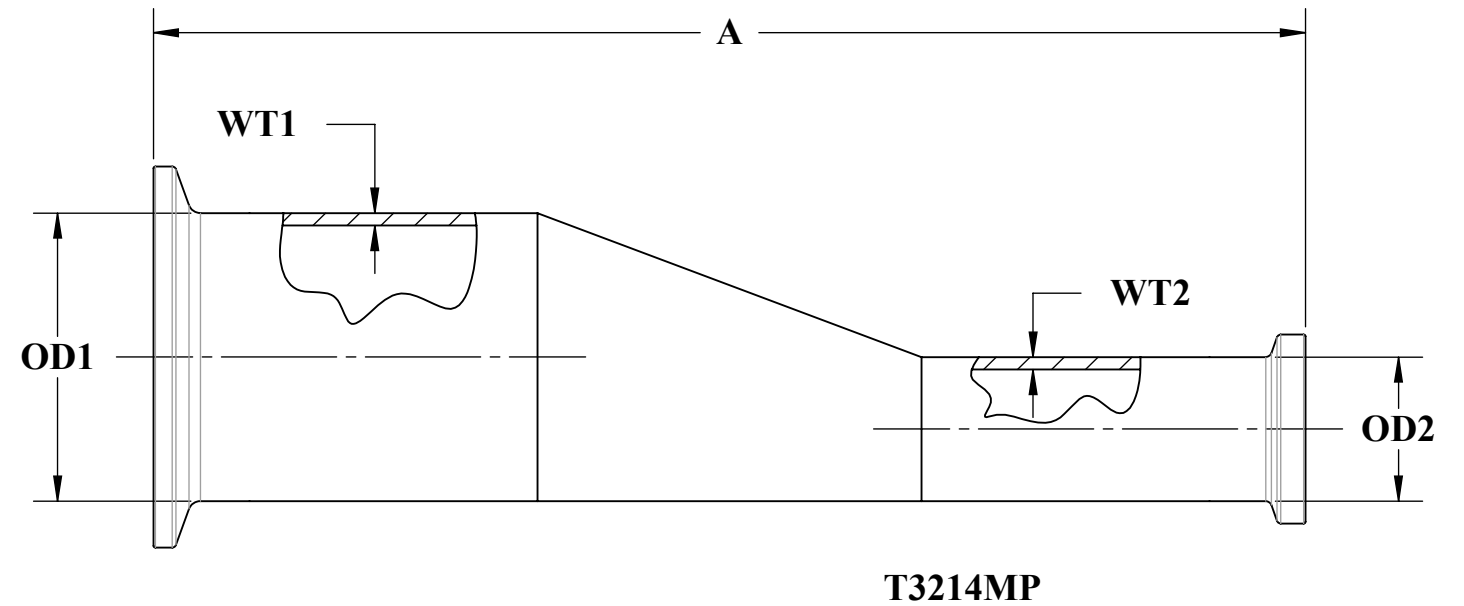
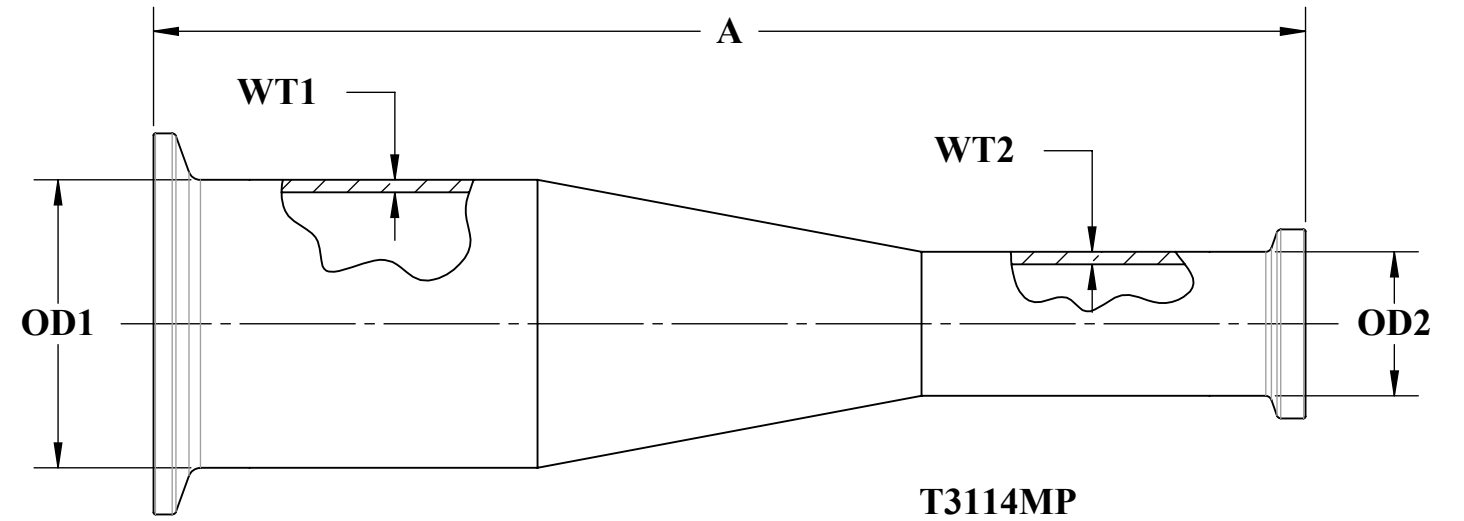



TUBE OD (IN)	A		OD1		OD2		WT1		WT2	
	IN	MM	IN	MM	IN	MM	IN	MM	IN	MM
.75 X .5	2.000	50.80	0.750	19.05	0.500	12.70	0.065	1.65	0.065	1.65
1 X .5	2.500	63.50	1.000	25.40	0.500	12.70	0.065	1.65	0.065	1.65
1 X .75	2.000	50.80	1.000	25.40	0.750	19.05	0.065	1.65	0.065	1.65
1.5 X .5	3.500	88.90	1.500	38.10	0.500	12.70	0.065	1.65	0.065	1.65
1.5 X .75	3.000	76.20	1.500	38.10	0.750	19.05	0.065	1.65	0.065	1.65
1.5 X 1	3.000	76.20	1.500	38.10	1.000	25.40	0.065	1.65	0.065	1.65
2 X .5	5.500	139.70	2.000	50.80	0.500	12.70	0.065	1.65	0.065	1.65
2 X .75	5.000	127.00	2.000	50.80	0.750	19.05	0.065	1.65	0.065	1.65
2 X 1	5.000	127.00	2.000	50.80	1.000	25.40	0.065	1.65	0.065	1.65
2 X 1.5	3.000	76.20	2.000	50.80	1.500	38.10	0.065	1.65	0.065	1.65
2.5 X .5	7.500	190.50	2.500	63.50	0.500	12.70	0.065	1.65	0.065	1.65
2.5 X .75	7.000	177.80	2.500	63.50	0.750	19.05	0.065	1.65	0.065	1.65
2.5 X 1	7.000	177.80	2.500	63.50	1.000	25.40	0.065	1.65	0.065	1.65
2.5 X 1.5	5.000	127.00	2.500	63.50	1.500	38.10	0.065	1.65	0.065	1.65
2.5 X 2	3.000	76.20	2.500	63.50	2.000	50.80	0.065	1.65	0.065	1.65
3 X 1	9.000	228.60	3.000	76.20	1.000	25.40	0.065	1.65	0.065	1.65
3 X 1.5	7.000	177.80	3.000	76.20	1.500	38.10	0.065	1.65	0.065	1.65
3 X 2	5.000	127.00	3.000	76.20	2.000	50.80	0.065	1.65	0.065	1.65
3 X 2.5	3.000	76.20	3.000	76.20	2.500	63.50	0.065	1.65	0.065	1.65
4 X 1	13.125	333.38	4.000	101.60	1.000	25.40	0.083	2.11	0.065	1.65
4 X 1.5	11.125	282.58	4.000	101.60	1.500	38.10	0.083	2.11	0.065	1.65
4 X 2	9.125	231.78	4.000	101.60	2.000	50.80	0.083	2.11	0.065	1.65
4 X 2.5	7.125	180.98	4.000	101.60	2.500	63.50	0.083	2.11	0.065	1.65
4 X 3	5.125	130.18	4.000	101.60	3.000	76.20	0.083	2.11	0.065	1.65
6 X 3	7.500	190.50	6.000	152.40	3.000	76.20	0.109	2.77	0.065	1.65
6 X 4	7.625	193.68	6.000	152.40	4.000	101.60	0.109	2.77	0.083	2.11

PARTS FOLLOW BPE 2012 STANDARDS



<p><b>PROPRIETARY AND CONFIDENTIAL</b></p> <p>This drawing is owned by Dixon Valve &amp; Coupling Co. and shall be returned upon demand. It is loaned on condition that it shall not be copied or reproduced or submitted to others without the owners consent. In accepting it subject to this condition the recipient further agrees that this drawing or any design detail or concept disclosed herein shall not be used in any way detrimental to or in competition with the owner. If the recipient does not agree to the terms of this agreement they shall return this drawing immediately. The information contained in this drawing is subject to change without notice.</p>	<p><b>DIXON</b>  <b>U.S.A.</b></p> <p>THE RIGHT CONNECTION™</p>
	<p>DESCRIPTION: 2012 BPE CONCENTRIC AND ECCENTRIC CLAMP X CLAMP REDUCER</p> <p>SURFACE FINISH: SF1 OR SF4</p>
<p>DO NOT SCALE THIS DRAWING</p>	<p>PART NUMBER: <b>T3114MP / T3214MP</b></p>