

Air & Vacuum Relief Tank Vent Valve

Material:

- light weight, robust PVC and 304 stainless steel construction

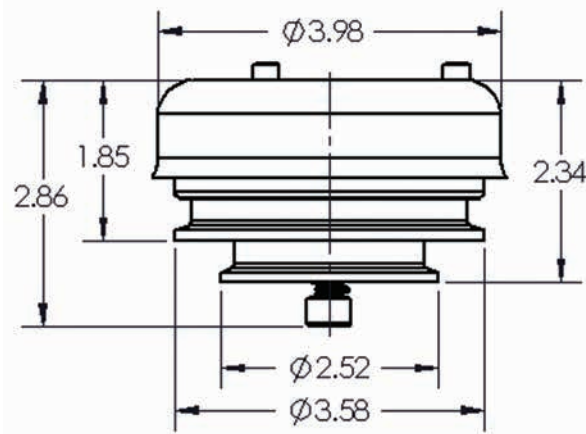
Features:

- dome helps in preventing external contamination
- can use any clamp gasket

Specifications:

- maximum flow rate: 500 GPM
- vacuum break: 0.1 **PSI**
- pressure relief: 0.1 **PSI**

Size	304 Stainless Steel Part #
2" - 3"	TVPC200-300

Dimensions

! Due to the impossible determination of whether a tank was damaged due to the tank vent or the lack of opening the upper manhole during product transfer, Dixon Sanitary assumes no liability for tank damage or product loss.

All dimensions are approximate. Engineering dimensions are available upon request.
Specifications are subject to change without notice.