

## Air &amp; Vacuum Relief Tank Vent Valves

**Applications:**

- When product filling or emptying a tank, this valve is used to relieve pressure or vacuum

**Features:**

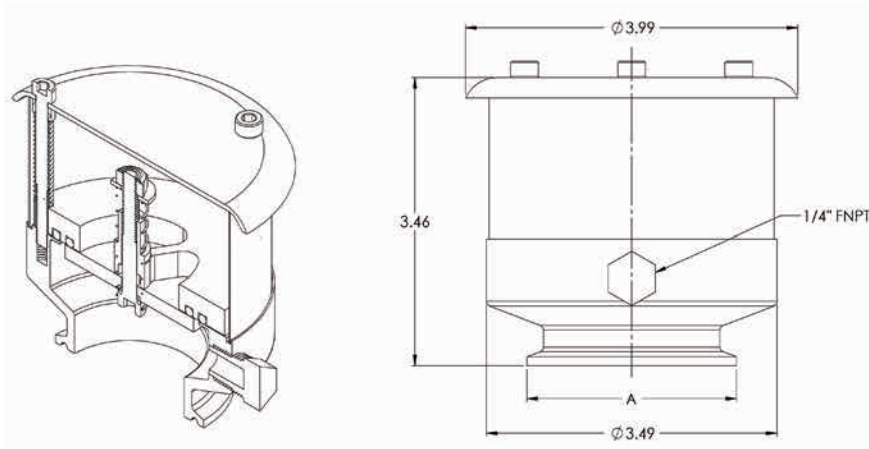
- Triple Action:
  - valve relieves pressure as the fluid level rises while filling a tank
  - valve relieves vacuum as the fluid level drops while emptying a tank
  - seals under equal pressure
- stainless steel screen surrounds the entire vacuum and pressure flow area
- other sanitary connections optional
- 1/4" FNPT connection for gas inlet, plug also supplied
- repair kits available

**Materials:**

- 304 stainless steel, EPDM elastomer

**Specifications:**

- vacuum break: 2" water column, 0.1 PSI
- pressure relief: 22" water column, 0.8 PSI
- maximum temperature and pressure rating: **3 PSI @ 70°F (21°C)**
- maximum flow rate: 500 GPM



Tube OD	Dimension A	304 Stainless Steel Part #
2"	2.52"	<b>TVSEC-G200</b>
3"	3.58"	<b>TVSEC-G300</b>
4"	4.68"	<b>TVSEC-G400</b>

**!** Due to the impossible determination of whether a tank was damaged due to the tank vent or the lack of opening the upper manhole during product transfer, Dixon Sanitary assumes no liability for tank damage or product loss.

All dimensions are approximate. Engineering dimensions are available upon request.  
Specifications are subject to change without notice.