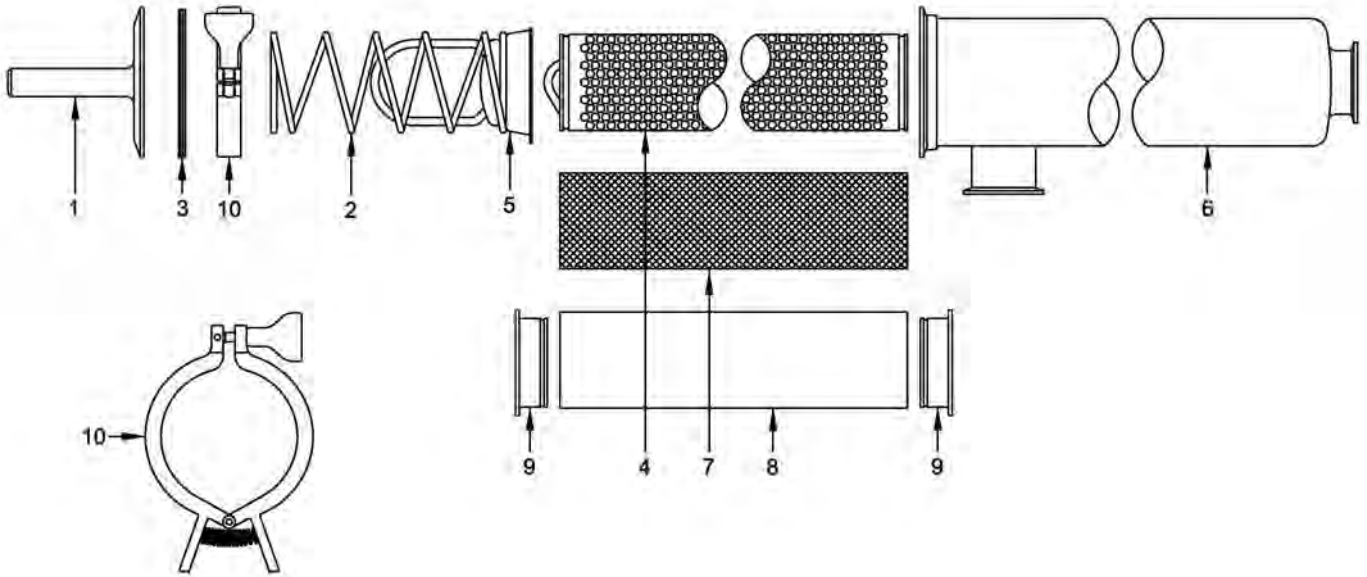


Filter / Strainers

Bill of Materials



Item #	Description	1½" and 2" Part #	3" Part #	Material	Qty
1	end cap with handle	BS-31-R100-200	BS-31-R250-300	316L stainless steel	1
2	strainer spring	BS-32-R100-200	BS-32-R250-300	316L stainless steel	1
3	clamp gasket	40MP-U400	40MPV-U400	Buna	1
4	back-up tube with 1/8" perforations	BS-1418-R100200	BS-2418-R250300	316L stainless steel	1
	back-up tube with 1/4" perforations	BS-1425-R100200	BS-2425-R250300		
5	distributor cap	BS-35-R100-200	BS-35-R250-300	316L stainless steel	1
6	1½" strainer body	BS-36-R150	---	316L stainless steel	1
	2" strainer body	BS-36-R200	---		
	3" strainer body	---	BS-36-R300		
7	various mesh over screens	part number on page 498		316 stainless steel	1
8	various filter bag	part number on page 498		various	1
9	retaining ring used with filter bags	BS-09-U100-200	BS-09-U250-300	Buna	2
10	squeeze clamp for assembly	13MHM-Q400	13MHHV-Q400	304 stainless steel	1

N