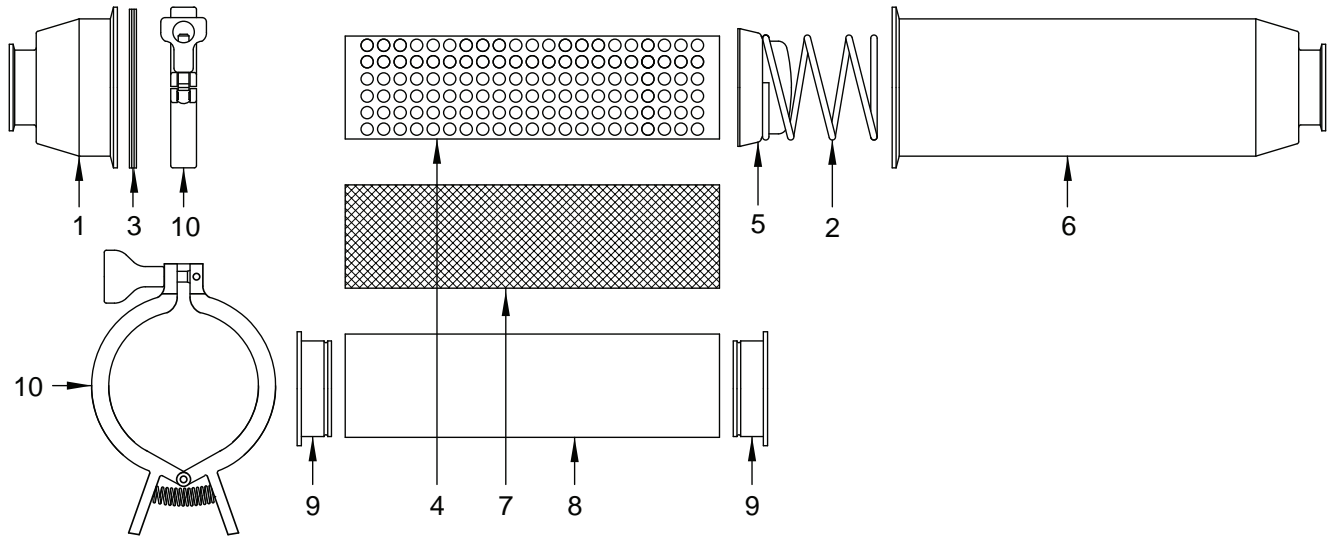


Filter / Strainers

Bill of Materials



| Item # | Description | Short Part # | Long Part # | Material | Qty |
|--------|--|-------------------------|------------------------|----------------------|-----|
| 1 | 1" strainer outlet | BS-01-R100 | --- | 316L stainless steel | 1 |
| | 1½" strainer outlet | | BS-01-R150 | | |
| | 2" strainer outlet | | BS-01-R200 | | |
| | 2½" strainer outlet | BS-01-R250 | --- | | |
| | 3" strainer outlet | | BS-01-R300 | | |
| 2 | 1" - 2" strainer spring | | BS-02-R100-200 | 316L stainless steel | 1 |
| | 2½" - 3" strainer spring | | BS-02-R250-300 | | |
| 3 | 1" - 2" (4") clamp gasket | | 40MP-U400 | Buna | 1 |
| | 2½" - 3" (4") schedule 5 clamp gasket | | 40MPV-U400 | | |
| 4 | 1" - 2" back-up tube with 1/8" perforations | BS-1418-R100200 | BS-2418-R100200 | 316L stainless steel | 1 |
| | 2½" - 3" back-up tube with 1/8" perforations | BS-1418-R250300 | BS-2418-R250300 | | |
| | 1" - 2" back-up tube with 1/4" perforations | BS-1425-R100200 | BS-2425-R100200 | | |
| | 2½" - 3" back-up tube with 1/4" perforations | BS-1425-R250300 | BS-2425-R250300 | | |
| 5 | 1" - 2" strainer cap | | BS-05-R100-200 | 316L stainless steel | 1 |
| | 2½" - 3" strainer cap | | BS-05-R250-300 | | |
| 6 | 1" strainer inlet | BS-16-R100 | --- | 316L stainless steel | 1 |
| | 1½" strainer inlet | BS-16-R150 | BS-26-R150 | | |
| | 2" strainer inlet | BS-16-R200 | BS-26-R200 | | |
| | 2½" strainer inlet | BS-16-R250 | --- | | |
| | 3" strainer inlet | BS-16-R300 | BS-26-R300 | | |
| 7 | 1" - 3" various mesh over screens (short/long) | part number on page 498 | | 316 stainless steel | 1 |
| 8 | 1" - 3" various filter bag (short/long) | part number on page 498 | | various | 1 |
| 9 | 1" - 2" retaining ring used with filter bags | | BS-09-U100-200 | Buna | 2 |
| | 2½" - 3" retaining ring used with filter bags | | BS-09-U250-300 | | |
| 10 | 1" - 2" (4") squeeze clamp | | 13MHHM-Q400 | 304 stainless steel | 1 |
| | 2½" - 3" (4") schedule 5 squeeze clamp | | 13MHHV-Q400 | | |

N