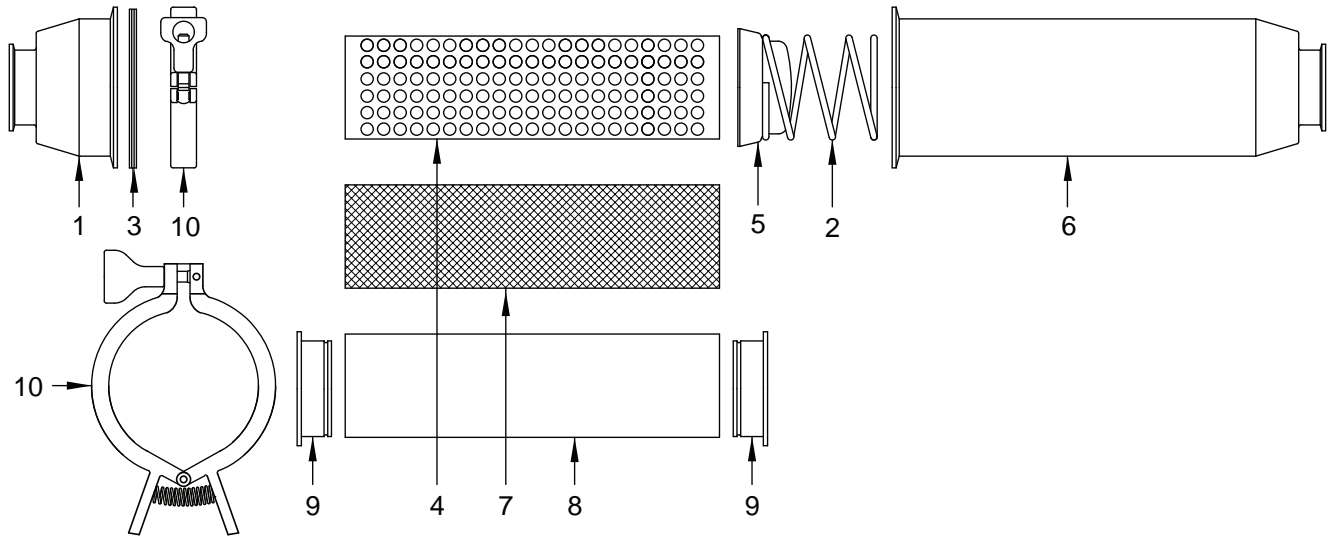


Filter / Strainers

Bill of Materials



Item #	Description	Short Part #	Long Part #	Material	Qty
1	1" strainer outlet	BS-01-R100	---	316L stainless steel	1
	1½" strainer outlet		BS-01-R150		
	2" strainer outlet		BS-01-R200		
	2½" strainer outlet	BS-01-R250	---		
	3" strainer outlet		BS-01-R300		
2	1" - 2" strainer spring		BS-02-R100-200	316L stainless steel	1
	2½" - 3" strainer spring		BS-02-R250-300		
3	1" - 2" (4") clamp gasket		40MP-U400	Buna	1
	2½" - 3" (4") schedule 5 clamp gasket		40MPV-U400		
4	1" - 2" back-up tube with 1/8" perforations	BS-1418-R100200	BS-2418-R100200	316L stainless steel	1
	2½" - 3" back-up tube with 1/8" perforations	BS-1418-R250300	BS-2418-R250300		
	1" - 2" back-up tube with 1/4" perforations	BS-1425-R100200	BS-2425-R100200		
	2½" - 3" back-up tube with 1/4" perforations	BS-1425-R250300	BS-2425-R250300		
5	1" - 2" strainer cap		BS-05-R100-200	316L stainless steel	1
	2½" - 3" strainer cap		BS-05-R250-300		
6	1" strainer inlet	BS-16-R100	---	316L stainless steel	1
	1½" strainer inlet	BS-16-R150	BS-26-R150		
	2" strainer inlet	BS-16-R200	BS-26-R200		
	2½" strainer inlet	BS-16-R250	---		
	3" strainer inlet	BS-16-R300	BS-26-R300		
7	1" - 3" various mesh over screens (short/long)	part number on page 498		316 stainless steel	1
8	1" - 3" various filter bag (short/long)	part number on page 498		various	1
9	1" - 2" retaining ring used with filter bags		BS-09-U100-200	Buna	2
	2½" - 3" retaining ring used with filter bags		BS-09-U250-300		
10	1" - 2" (4") squeeze clamp		13MHHM-Q400	304 stainless steel	1
	2½" - 3" (4") schedule 5 squeeze clamp		13MHHV-Q400		

N